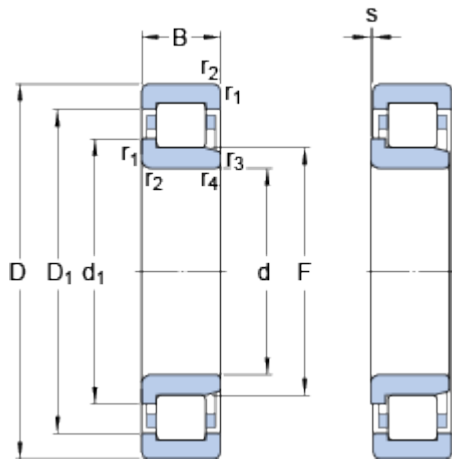


# NJ 214 ECP

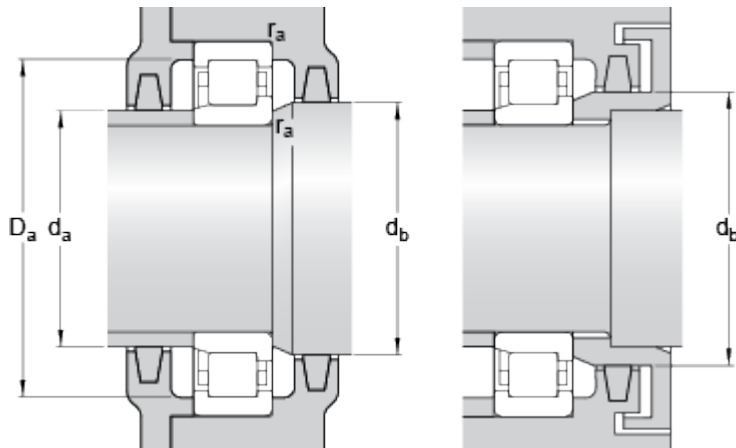
SKF Explorer

## Dimensions



d		70	mm
D		125	mm
B		24	mm
d <sub>1</sub>	≈	89.4	mm
D <sub>1</sub>	≈	108.3	mm
F		83.5	mm
r <sub>1,2</sub>	min.	1.5	mm
r <sub>3,4</sub>	min.	1.5	mm
s		1.2	mm

## Abutment dimensions



d <sub>a</sub>	min.	79	mm
d <sub>a</sub>	max.	81	mm
d <sub>b</sub>	min.	92	mm
D <sub>a</sub>	max.	115.4	mm
r <sub>a</sub>	max.	1.5	mm

## Calculation data

Basic dynamic load rating	C	137	kN
Basic static load rating	C <sub>0</sub>	137	kN
Fatigue load limit	P <sub>u</sub>	18	kN
Reference speed		6000	r/min
Limiting speed		6300	r/min
Calculation factor	k <sub>r</sub>	0.15	

## Mass

Mass bearing		1.177	kg
--------------	--	-------	----

## Appropriate products

Angle ring		HJ 214 EC	
------------	--	-----------	--

